

## Real-time Weather Data Monitoring



Light Sensor  
(Solar radiation)



Temp/Humidity Sensor



Wind Sensor  
(Wind speed & direction)

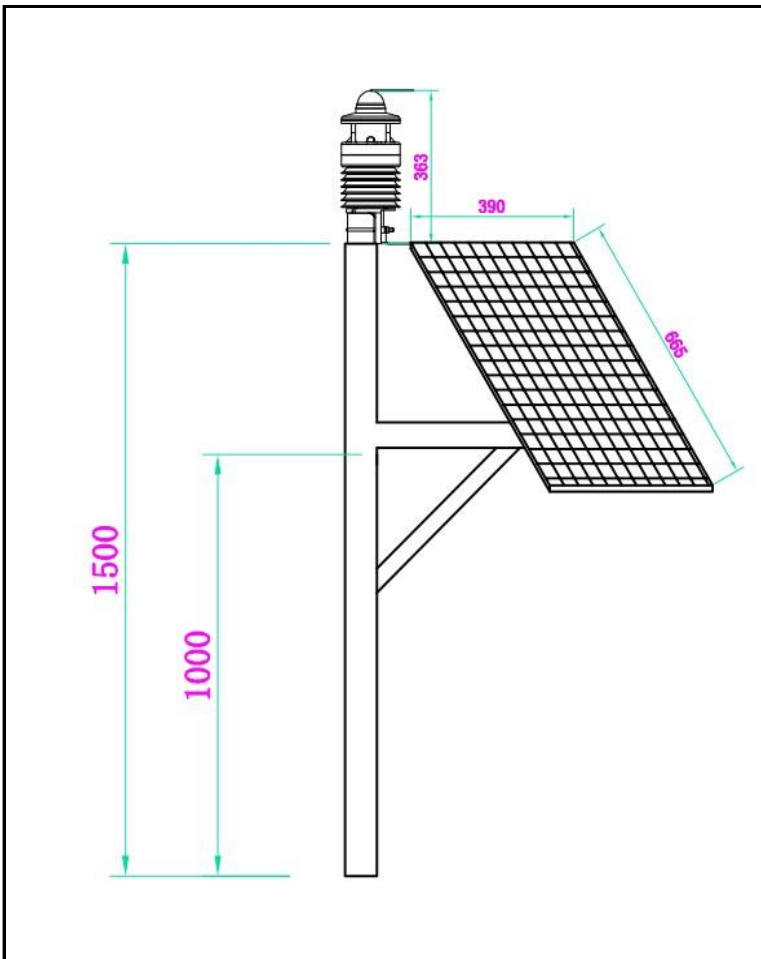


Air Pressure Sensor



Rain Sensor  
(Rain rate, accumulation & duration)

## Dimensions & Installation:



### Solar Panel External Charge

The weather station uses an integrated solar power charge module with one vertically oriented solar panels.



### Built-in Lithium Type Battery

Ideal for use at outdoors and in extreme temperatures, with long lifetimes and capable to supply system operates up to 5 days.



### Professional Installation

Pole mount installation with a stainless steel pole, suitable for extreme climate events.



### Wireless Capabilities

Data transmits to the CELEX cloud via LoRa network, with low power and long range capabilities.

## Features:

- Highly intelligent with real-time weather data monitoring
- Wireless LoRa data transmission for immediate data reporting
- Comprehensive Weather station with various of professional sensor
- Standard and solid pole mounted installation with stainless steel pole
- More than a hardware for data monitor, all data manipulated by CELEX Cloud server for data analysis

## Applications:

- Grassplots in suburb
- Gardens
- Manor Houses
- Parks

## Weather Sensor Specifications:

Measurements	Ranges	Accuracy
Air Temperature	-50°C to 60°C	± 0.2° C
Relative Humidity	0 to 100%	± 2%
Air Pressure	300 to 1200 mbar	± 0.3mbar
Wind Speed	0 to 60 m/s	± 0.3 m/s or 3%
Wing Direction	0 to 360°	± 3°
Solar Radiation	0 to 2000 W/m2	± 5%
Rain Rate	0 to 400 mm/hour	± 10%
Rain Accumulation	Unlimited	± 10%
Rain Duration	Unlimited	± 2 minutes
Rain Intensity	Very Light to Extreme	N/A

## Electrical & General Specifications:

Solar Panel	50W
Actual Input Voltage	12V
Battery	12V, 30AH
Finishing Material	Stainless Steel and Polycarbonate
Pole Color	Matt Black

## Wireless Network Architecture:

